

FM3360E

1/3

INSTRUCTION MANUAL
OF
DISTRIBUTING VALVE

LV-10*C-20

This distributing valve is to equally distribute the supplying grease (or oil) in response to the number of ports using with DV and DW type distributing valve or grease gun and so on.

1. Main specifications

The distributing valve is classified into each model according to the number of discharge ports.

Model	Number of discharge ports	Discharge volume per one port	Max. working pressure
LV-108C-20	8 ports	0.16cm ³ /stroke	21MPa
LV-106C-20	6 ports		

2. Explanation of construction and operation (Refer to Fig. I)

In case of LV-108C-20, four pistons have relation as shown in Fig. I. (Actual discharge port ① is next to port ②.)

Pressurized grease supplied from supply port makes move piston A to the left and discharge fixed quantity from discharge port ①.

According to passage is opened by moving of piston A, next, piston B moves to the left and discharges from discharge port ②, following, piston C moves to the left and discharges fixed quantity from discharge port ③. The same, piston D moves to the right and discharges from discharge port ④.

Piston A to D follow the working sequence opposite to the above, when the fixed quantity is discharged from remaining discharge port ⑤ to ⑧, one cycle is over.

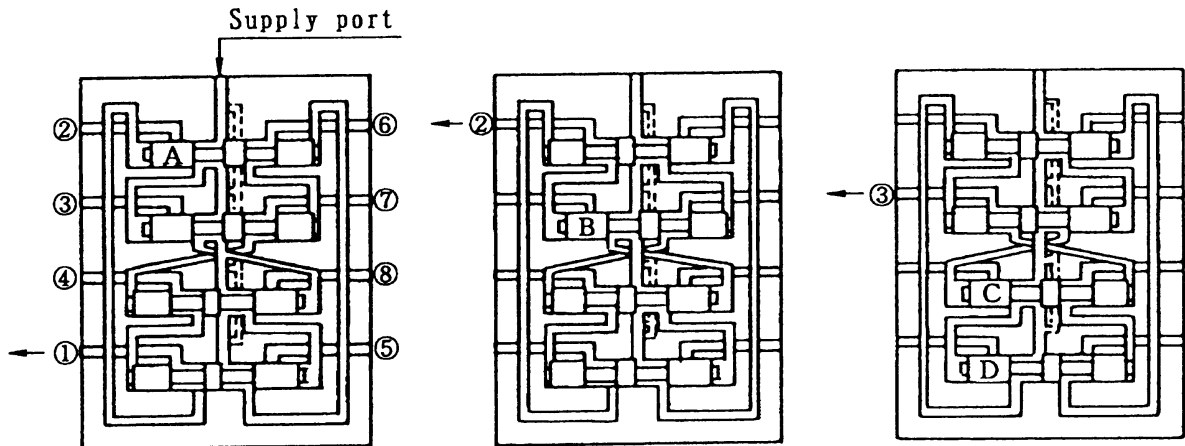


Fig. I

3. Handling precautions

- 1) Because this distributing valve is progressing operation system, do not plug on discharge port. If any of discharge ports is plugged, this distributing valve does not operated.
- 2) When the number of discharge port is required to reduce in use or when two times discharge amount is required, use T320-2 attachment.
- 3) LV-106C-20 is built in body with by-pass piston for adjusting discharge port and is plugged on discharge port.
Connecting pipe is out of use on this plug part.
- 4) The pipe from discharge port to bearing should be planned to use with a copper pipe of $\phi 6 \times 0.8t$ and length within 5m.
- 5) When this distributing valve does not certainly work, its almost cases are caused by dust. Pick up piston from body and wash piston and body together with washing oil.
- 6) When mounting the distributing valve, be careful of not tightening hard.
Otherwise, it causes warp of piston or body, which causes malfunction of the distributing valve.