

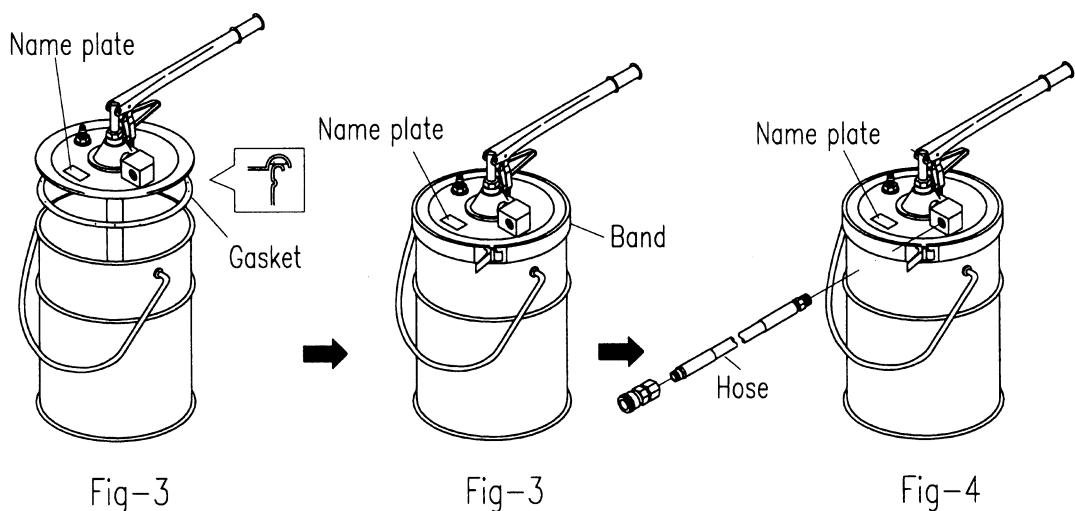
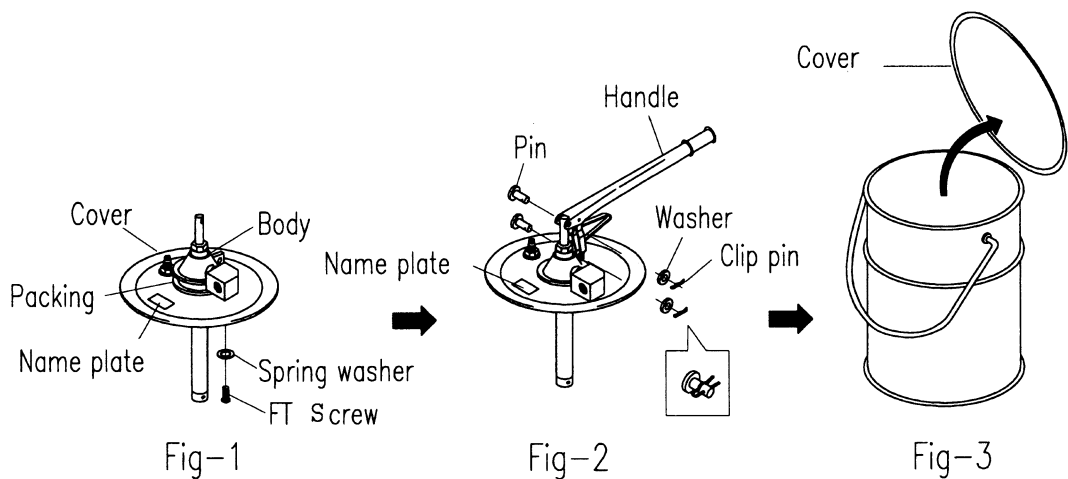
FM3238ED

1 / 3

INSTRUCTION MANUAL  
Of  
**PF-1-20**  
Type  
**FILLER PACK**

### ■HOW TO INSTALL

1. Put the pump body and packing on the upper side of the cover, assemble it with 4 FT screws from the bottom side of the cover. (Fig-1)
2. Fit the handle to the pump body with the pins, washers and clip pins. (Fig-2)
3. Remove a cover of pail-can which is on the market, set the assembled pump body into the pail-can and fix the pump body with the band. (Fig-3)  
(When doing this, be sure to insert the attached gasket between the cover and pail-can.)
4. Screw the attached hose in the pump body and fasten it with a spanner. (Fig-4)



### ■CAUTIONARY INSTRUCTION IN HANDLING

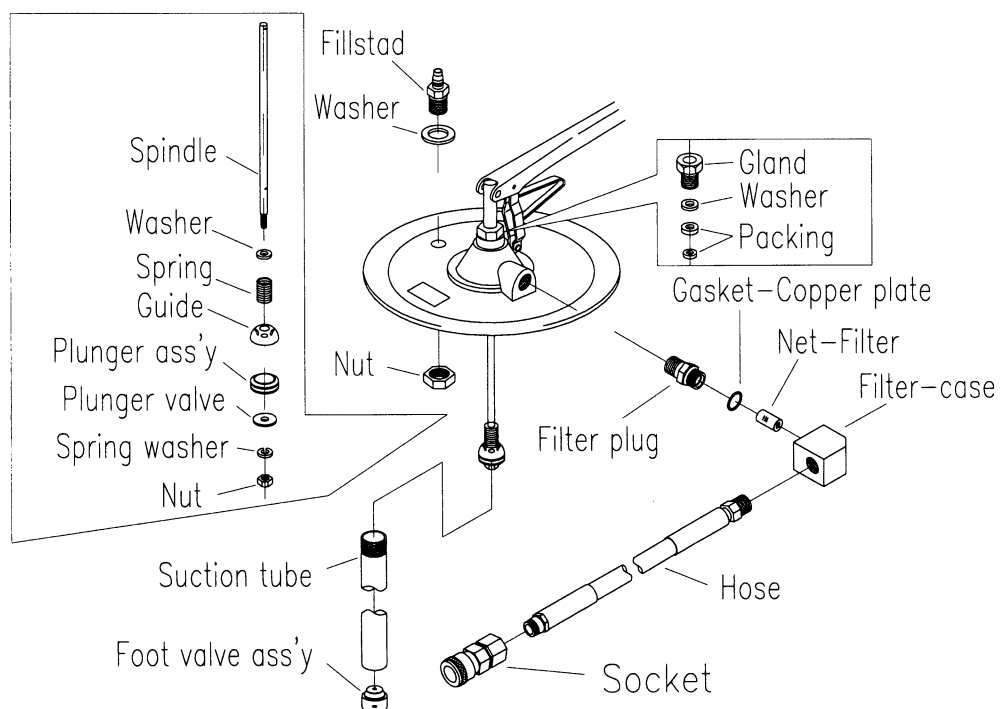
When using grease during cold time, or grease of high consistency, grease from center of pail-can may be sucked, there is a possibility that grease may be remaining in outer periphery.

Even out the grease surface, or use Follower-plate (is sold separately).

### ■ MAINTENANCE

- When grease leaks from top of the gland → Because it may be caused by wearing of packing, suitably tighten the gland. (If the gland will touch to the body on tightening the gland, the packing should be changed.)
- When the handle operating is tight → It may be caused by over-tightening of the gland. Slightly loosen the gland, lubricate with a few drops of oil. It is conceivable to be caused by choking of filter with dust. Disassemble and clean the filter.
- When the discharge volume is reduced → It is conceivable to be caused by choking of seat surface of foot valve with dust or alien materials, or, wearing of packing of the intake valve. Disassemble and clean the filter, or change the packing.
- Changing parts → During long time usage, the packing will be worn or discharge volume will be reduced, so that change the packing with referring to "INTAKE VALVE ASS'Y".

### ■ INTAKE VALVE ASS'Y



### ■ NOTICE ON DISASSEMBLE

- When removing the suction tube, do not touch to the area (around 200mm from the bottom where the piston plunger moving) by wrench or vice.
- Foot valve will be easily removed by returning a screw with a driver into hole.

FM3239ED

1 / 3

INSTRUCTION MANUAL  
Of  
**PF-3-20**  
Type  
FILLER PACK

### ■HOW TO INSTALL

1. Fit the handle to the pump body with the pins, washers and clip pins. (Fig-1)
2. Oil container can be removed by spring up 3 fasteners. (Fig-2)
3. Bring a square-can or pail-can into the oil container. (Fig-2)
4. Wipe and set the suction tube as it was before, reset 3 fasteners.
5. Screw the attached hose and slightly fasten it with a spanner. (Fig-3)

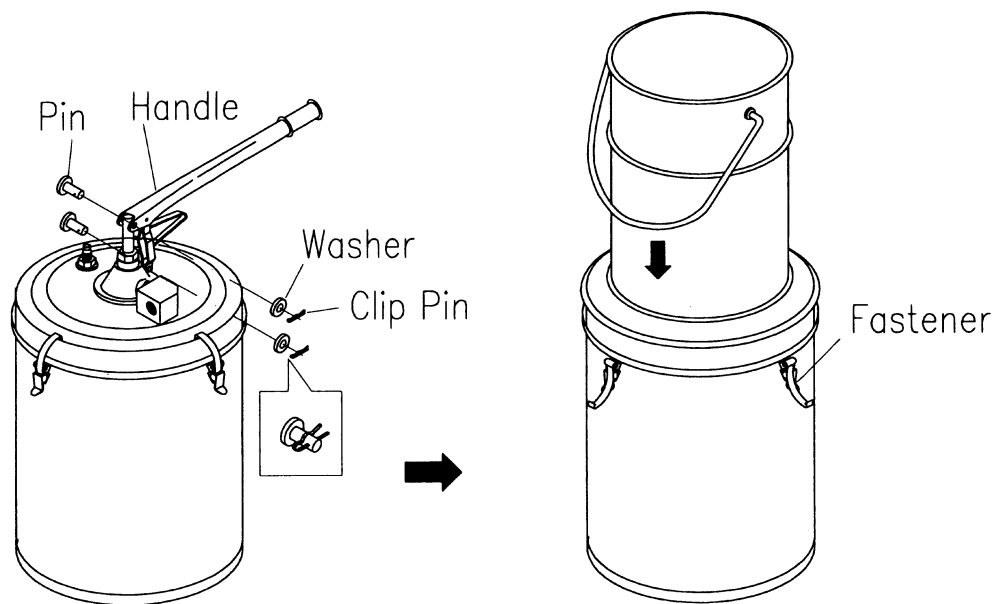


Fig-1

Fig-2

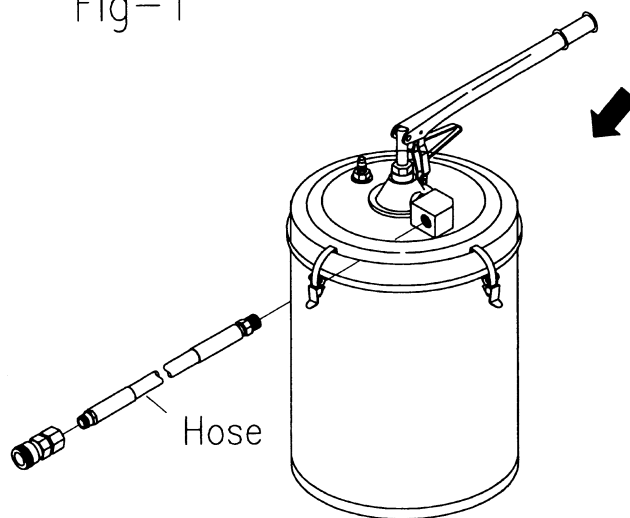


Fig-3

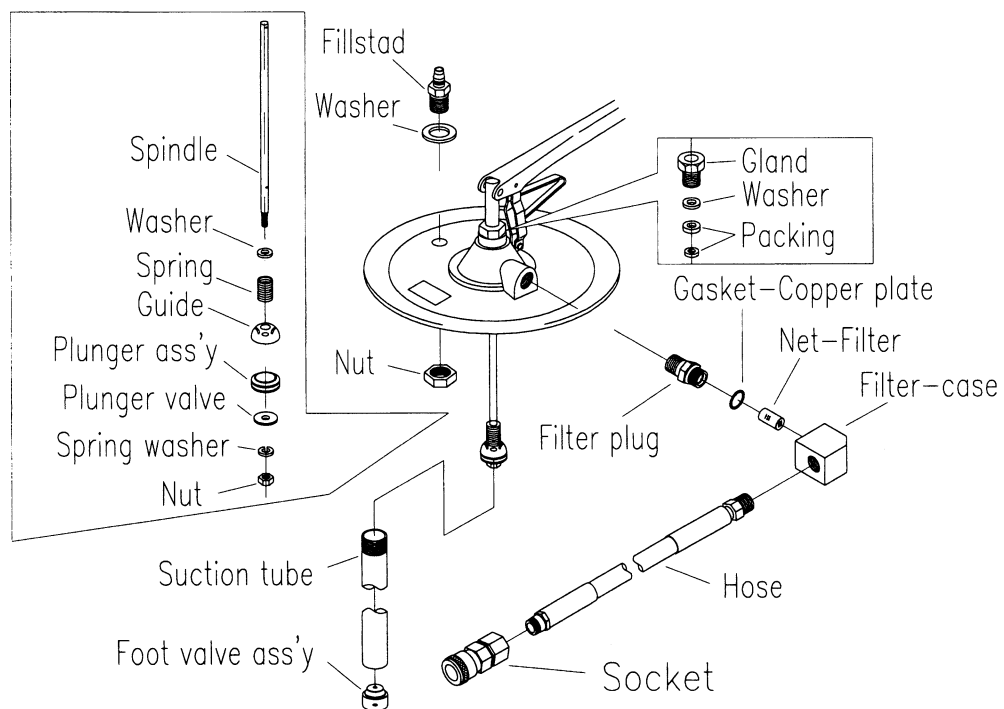
### ■CAUTIONARY INSTRUCTION IN HANDLING

When using grease during cold time, or grease of high consistency, grease from center of pail-can may be sucked, there is a possibility that grease may be remaining in outer periphery.  
Even out the grease surface, or use Follower-plate (is sold separately).

### ■ MAINTENANCE

- When grease leaks from top of the gland → Because it may be caused by wearing of packing, suitably tighten the gland. (If the gland will touch to the body on tightening the gland, the packing should be changed.)
- When the handle operating is tight → It may be caused by over-tightening of the gland. Slightly loosen the gland, lubricate with a few drops of oil. It is conceivable to be caused by choking of filter with dust. Disassemble and clean the filter.
- When the discharge volume is reduced → It is conceivable to be caused by choking of seat surface of foot valve with dust or alien materials, or, wearing of packing of the intake valve. Disassemble and clean the filter, or change the packing.
- Changing parts → During long time usage, the packing will be worn or discharge volume will be reduced, so that change the packing with referring to "INTAKE VALVE ASS'Y".

### ■ INTAKE VALVE ASS'Y



### ■ NOTICE ON DISASSEMBLE

- When removing the suction tube, do not touch to the area (around 200mm from the bottom where the piston plunger moving) by wrench or vice.
- Foot valve will be easily removed by returning a screw with a driver into hole.